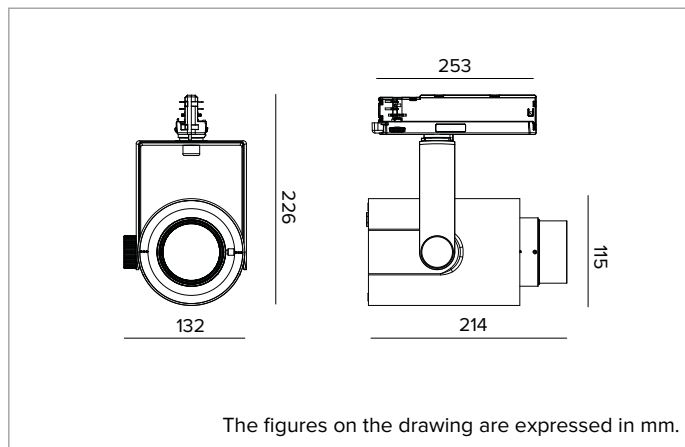


## T034ZMP930DAPW | RAY 115 ZOOM

Professional adjustable LED projector with a variable light beam opening



The fixture's photometric values can be found on the following pages



### SOURCE

High efficiency Chip on Board LED Ra90. Ra97 on request.

**Energy efficiency class:** E

**Nominal power:** 25W

**Nominal flux:** 3214lm

**Colour rendering index:** 90

**Rf:** 92

**Rg:** 101

**CCT nominal:** 3000K

**Lifetime (L80/B10):** >50000h tq +25°C

### ILLUMINOTECHNICAL CHARACTERISTICS

**ZOOM PRECISION:** a classic system with the lens at a variable distance from the source. Structure in satin black anodised aluminium. Plano convex lens in optical glass, a highly reflective anodised aluminium reflector, a holographic diffusing filter.

**Optic:** HYBRID

**Beam angles:** SP-FL

**Optical efficiency:** See photometries

**Fixture flux:** See photometries

**Luminous efficacy:** See photometries

**Photobiological safety:** Compliant with RG1 low risk group

### MECHANICAL CHARACTERISTICS

Painted die-cast aluminium body. Black painted polycarbonate front ring. Adjustable from 0° to -90° on the vertical plane and 359° on the horizontal plane. Mechanical beam locking system on the vertical plane and friction beam locking system on the horizontal plane. The centre of gravity always remains in axis with the track regardless of the aiming.

**Colour and finish:** Plaster white

**Dimensions:** 115

**Weight:** 1.2Kg

**Version:** ZOOM PRECISION

**Degree of protection:** IP20

### ELECTRICAL CHARACTERISTICS

DALI electronic driver integrated into the track adapter.

**Fixture Power:** 29W

**Power supply:** 220-240Vac 50/60Hz

**Insulation Class:** CLASS 2

**Type of driver / Control:** DALI

**Driver included:** YES

**Class F:** YES

**SAFE FLICKER:** PstLM=<1 and SVM=<0.4 (IEC TR 61547-1 and IEC TR 63158), to ensure a more comfortable and safe light

**Ambient temperature:** 0°C / +25°C

### INSTALLATION

Electrified track mounting.

### WARRANTY

5 years.

### WARNING

Luminaire designed for disposal/recycling at end-of-life. Replaceable (LED only) light source by a professional. Replaceable control gear by a professional.

Due to the technological evolution of the electronic components, the data provided may be updated, and as such, confirmation must be requested during the order process.

Luminous flux and power supply have +/-10% tolerances with respect to the indicated value. tq +25°C (CIE 121).

We reserve the right to make technical changes.

Targetti Sankey S.r.l.  
Via Pratese, 164  
50145 Firenze - Italy  
Tel: +39 055 37911  
targetti.com  
targetti@targetti.com

CCIAA Firenze  
Share Capital:  
€ 500.000,00  
VAT N. (IT):  
01537660480  
R.E.A: FI-275656

**TARGETTI**

**T034ZMP930DAPW | RAY 115 ZOOM**  
**Professional adjustable LED projector with a variable light beam opening**



	3000K	H(m)	D(m)	Emax(lx)		
	Ra90		11°			
Fixture Power	29W	1	0.20	12090		
Source Flux	3214lm	2	0.39	3023		
Fixture Flux	525lm	3	0.59	1343		
Efficacy	18lm/W	4	0.79	756		
TS1693	I <sub>max</sub> =3762cd/klm	I <sub>max</sub>	12090cd	5	0.99	484



	3000K	H(m)	D(m)	Emax(lx)		
	Ra90		31°			
Fixture Power	29W	1	0.55	4491		
Source Flux	3214lm	2	1.10	1123		
Fixture Flux	1187lm	3	1.66	499		
Efficacy	42lm/W	4	2.21	281		
TS1694	I <sub>max</sub> =1414cd/klm	I <sub>max</sub>	4545cd	5	2.76	180

**SP**

Fixture flux 525lm  
 Luminous efficacy 18lm/W  
 Optical efficiency 16%

**FL**

Fixture flux 1187lm  
 Luminous efficacy 42lm/W  
 Optical efficiency 37%

Due to the technological evolution of the electronic components, the data provided may be updated, and as such, confirmation must be requested during the order process.  
 Luminous flux and power supply have +/-10% tolerances with respect to the indicated value. tq +25°C (CIE 121).

Targetti Sankey S.r.l.  
 Via Pratese, 164  
 50145 Firenze - Italy  
 Tel: +39 055 37911  
 targetti.com  
 targetti@targetti.com

CCIAA Firenze  
 Share Capital:  
 € 500.000,00  
 VAT N. (IT):  
 01537660480  
 R.E.A.: FI-275656



We reserve the right to make technical changes.